

N10Z - Dynamic Compression Valve Kit for

Available for SHOWA Ø49 - HONDA / Kawasaki

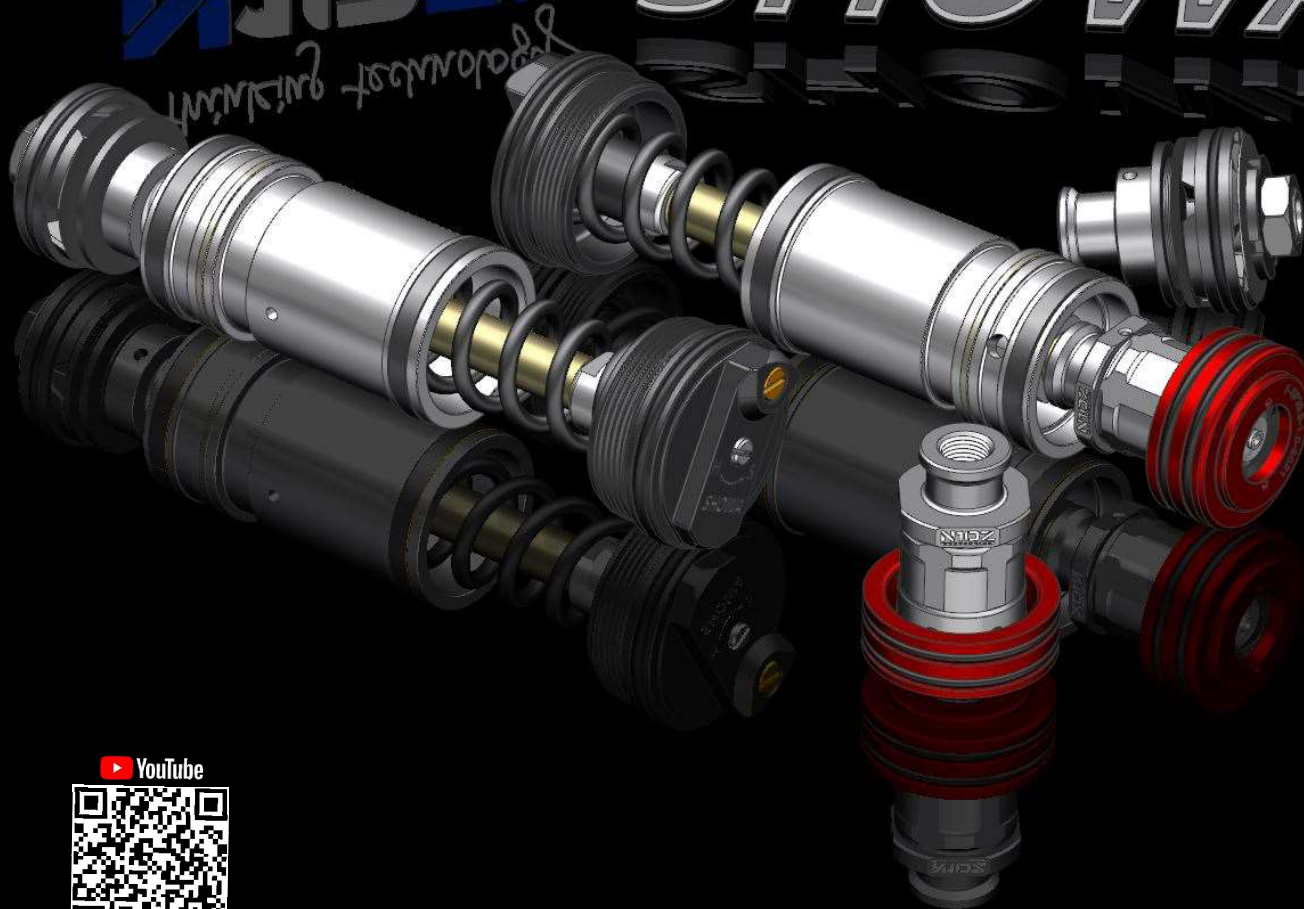
SHOWA Ø49 Gabel

The thinking technology
N10Z

The thinking technology

N10Z
SUSPENSION

SHOWA



N10Z - Dynamic Compression Valve Kit

The patent pending **N10Z** technology dynamically/automatically adapts to the riding situation.

The demand of softer or stiffer damping is remotely adjusted on the fly.

The range of action of the damping can be adjusted as usual by using the clicker screw.

- better response characteristic
- no impairment of the bottom out reserves
- traction and sensitivity
- increases driving comfort and safety
- easy installation

Easy installation by exchanging the original parts.

Available for SHOWA Ø49 - HONDA / Kawasaki

1x N10Z - Dynamic Valves

YouTube



N10Z Suspension

for off-road use only - prohibited on public roads

N10Z - SUSPENSION.COM

Ausgabe 10-2023

design by *Andy P.*